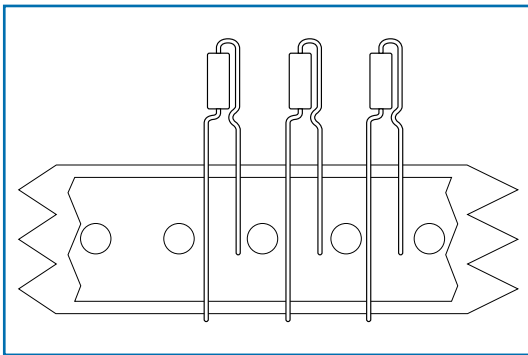
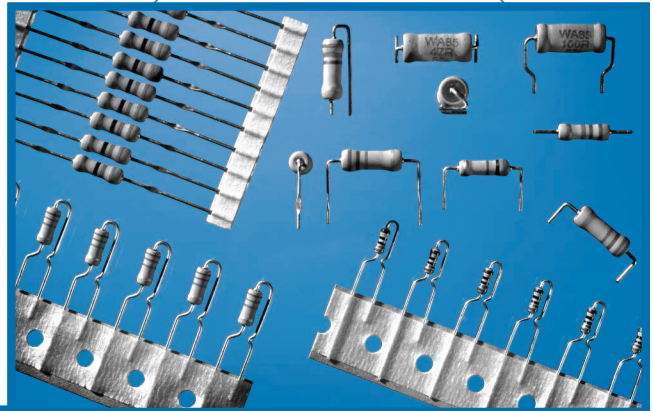


Lead Form Capability

Resistors can be supplied with various pre-formed leads.

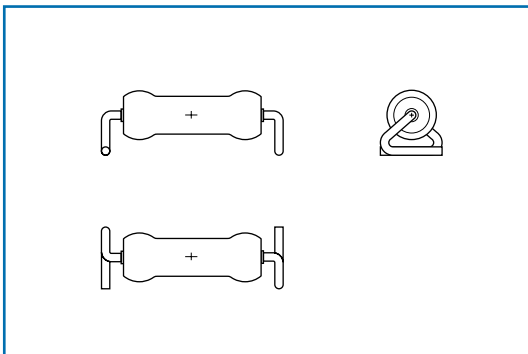
The standard options are

- Radial
- Z-Form
- Lancet
- Goalpost
- Hairpin
- Straight Cut
- Lancet in tape
- Shoulder Form



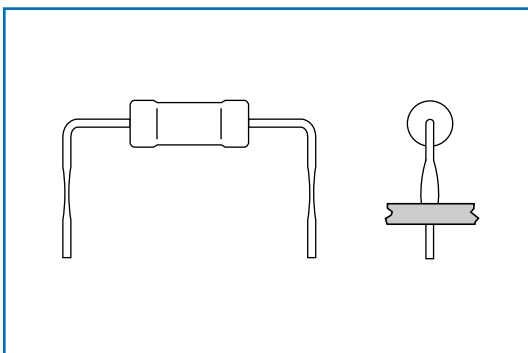
Radial Form

- Available in 2.5 x 6.3mm body
- Available in 4.0 x 10mm body
- Order product type with suffix 'R' (MFP2R)
- Reel packed
- For automatic radial insertion



Z-Form

- Available range: 3.6 x 9.0mm to 7.0 x 16.5mm body
- Order product type with suffix 'Z' (WA84Z)
- Packed in plastic blister tape
- For vacuum pick and place and reflow soldering

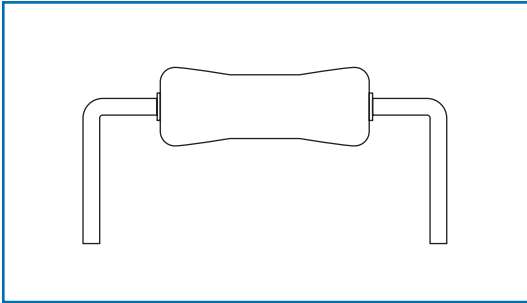


Lancet

- Available range: 1.7 x 5.5mm to 8.5 x 25mm body
- Order product type with suffix 'L' (MF3SL)
- Bulk packed
- For manual insertion

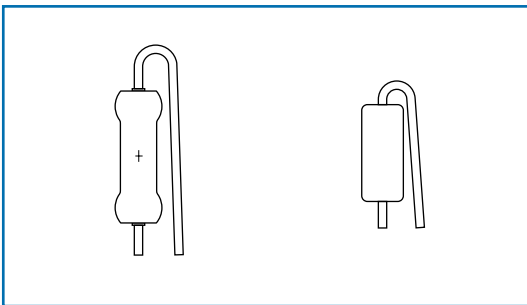
General Note

Welwyn Components reserves the right to make changes in product specification without notice or liability. All information is subject to Welwyn's own data and is considered accurate at time of going to print.



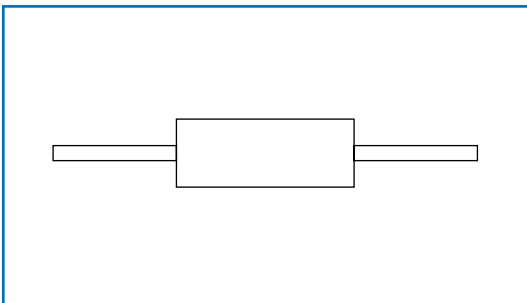
Goalpost

- Available Range: 2.5 x 6.3mm to 8.5 x 25mm body
- Order product type with suffix 'B' (MF3SB)
- Bulk Packed
- For manual insertion



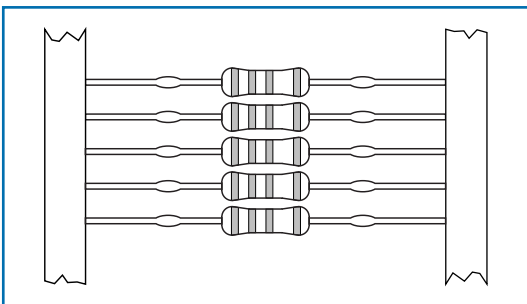
Hairpin Form

- Available range: 2.5 x 6.3mm to 5.3 x 14.5mm body
- Order product type with suffix 'H' (WA84H)
- Bulk packed
- For manual insertion



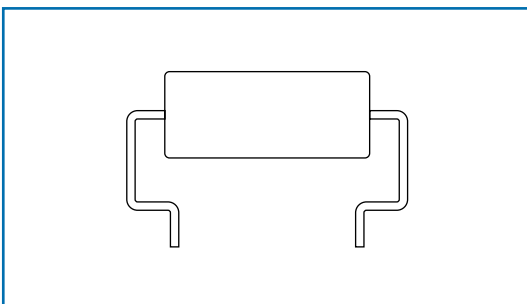
Straight Cut

- Available range: 2.5 x 6.3mm to 8.5 x 25mm body
- Order product type with suffix 'C' (MF3SC)
- Bulk packed



Lancet in tape

- Available range: 1.7 x 5.5mm to 8.5 x 25mm body
- Order product type with suffix 'LT' (MF3SLT)
- Ammo packed
- For automatic axial insertion with standoff



Shoulder Form

- Available only for 7.0 x 16.5mm body
- Development in progress for other body sizes
- Order product type with suffix 'A' (WA85A)
- Bulk packed
- For standoff or pitch reduction

For more details on dimensions, please see individual datasheets on our website, or contact our technical help desk