

# Coaxial connectors— miniature

## L1465 Series

### Miniature coaxial connectors

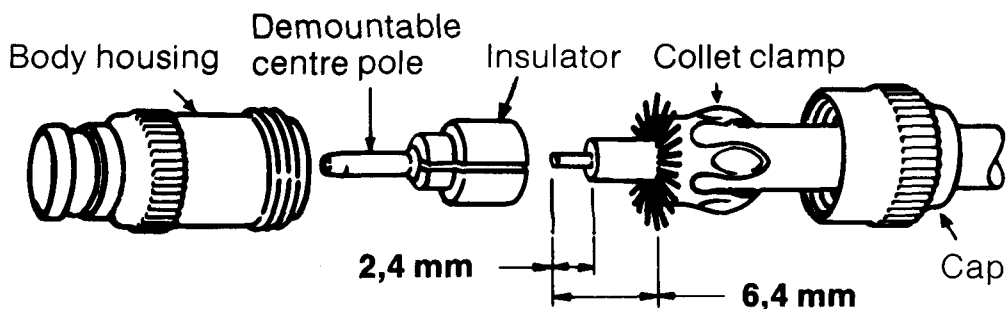
Widely used in sophisticated communication electronics, these coaxial connectors are small and robust, incorporating an external circlip for maximum strength and resilience. They employ the famous "tulip" cable clip together with a removable centre pole to enable soldering.

---

|   |   |
|---|---|
| <b>Impedance</b> _____                                    | 50 ohms nominal   |
| <b>Breakdown voltage (d.c.)</b> _____                     | > 2 kV at sea level<br>> 500V at 30 000 m   |
| <b>Insulation resistance</b> _____                        | $\geq 10^3$ megohms   |
| <b>Contact resistance<br/>and screen continuity</b> _____ | $\leq 5$ milliohms  |
| <b>Temperature range (ambient)</b> _____                  | -25°C to +70°C  |
| <b>Humidity</b> _____                                     | A4 (BS 2011)  |
| <b>Cable size</b> _____                                   | Inner 1 mm<br>Overall 4,5 mm  |
| <b>Cable retention</b> _____                              | 35 N, depending on cable  |
| <b>Insertion/withdrawal force</b> _____                   | 20 N maximum  |
| <b>Materials: Body</b> _____                              | Brass nickel-plated   |
| <b>Insulant</b> _____                                     | RPCS, PCS and CS are methyl pentene<br>polymer FP and FS are polyethylene               |
| <b>Centre pole</b> _____                                  | FP is brass silver-plated<br>RPCS, PCS, CS and FS are<br>beryllium copper silver-plated |

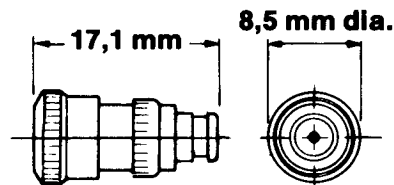
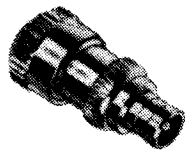
---

### Loading Instructions — L1465 series



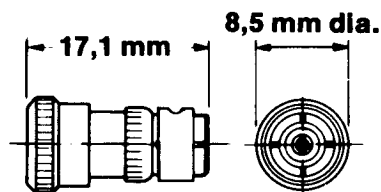


## Free plug



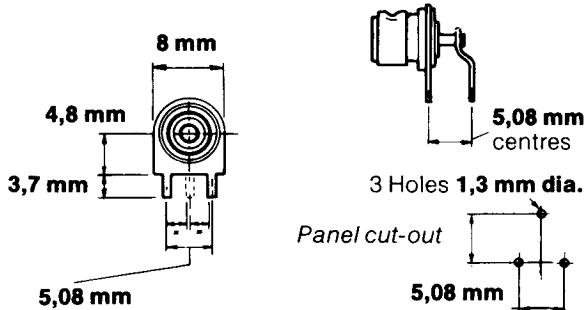
**Ordering reference: L1465B/FP**

## Free socket



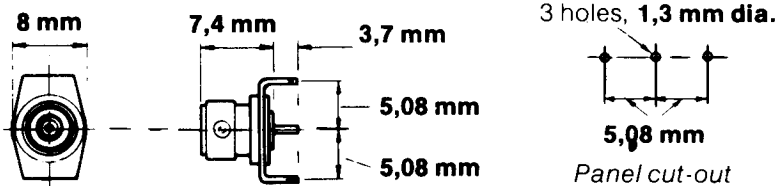
**Ordering reference: L1465B/FS**

## Fixed socket



**Ordering reference: L1465/RPCS**

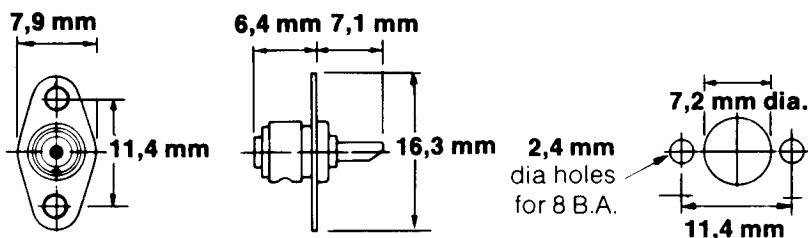
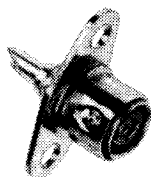
## Fixed socket



**Ordering reference: L1465/PCS**

To suit panel thickness up to **2,38 mm**

## Fixed socket



**Ordering reference: L1465C/CS**

Panel cut-out