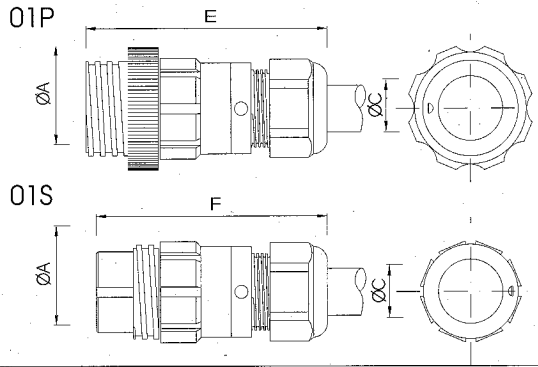
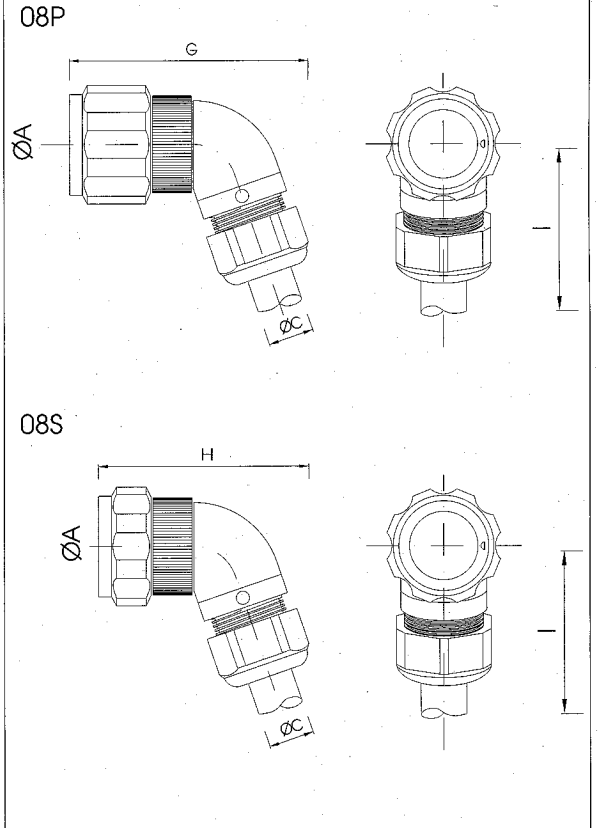


OUTLINE DIMENSIONS

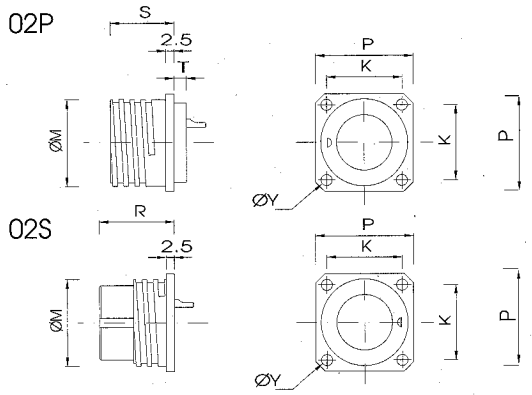
EXTENDER



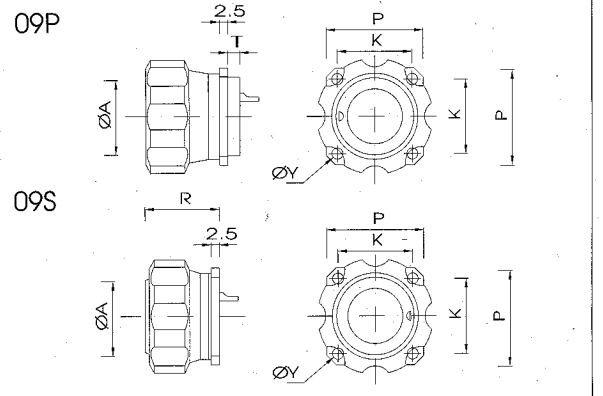
ANGLED CONNECTOR



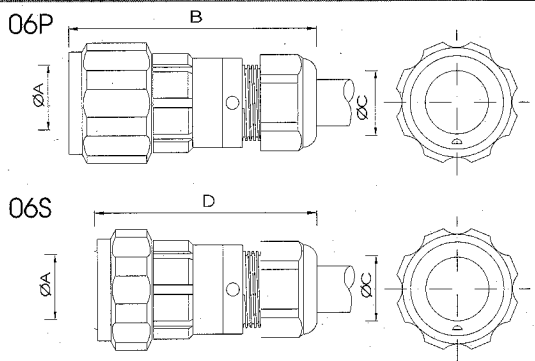
RECEPTACLE



RECEPTACLE WITH COUPLING NUT



STRAIGHT PLUG



	PG	A	B	ØC	D	E	F	G	H	I	K	M	P	R	S	T	Y
T-10	11	27.5	65	5 a10	56.4	58	62	58.8	51.8	38.8	19	21	25	23	22.5	5	3.2
T-20	16	36.5	74.3	7 a12	66.7	71.3	68.3	73.8	68.2	46.8	24	28	31	24	24.5	4	3.5
				10 a14													
T-30	29	52	85.8	13 a20	78.2	83	81	89.5	83.8	63	34	42	46	24	24.5	4	3.5
				18 a25													
T-40	29	64.5	96.5	13 a20	89	93.5	91.5	95.5	89.8	76.9	41	52	56	24	24.5	4	3.5
				18 a25													
	36	64.5	96.5	22 a32	89	93.5	91.5	101.8	94.2	68.4	41	52	56	24	24.5	4	3.5

CONTACT PLANFORMS

SOLDER CONTACTS

T-10									
	13U 270 B	14V 225 B	17P 150 A						
T-20									
	22B 490 D	23C 440 B	23AL 540 C	25D 370 B	25S 370 B	26R 300 B	27E 370 B	27X 300 B	28T 270 B
	29AE 280 B	210AO 280 A	212AF 270 A	213AN 125 A	222P 150 A				
T-30									
	32F 525 C	34H 490 C	37Y 470 C	39J 450 C	315K 355 C	319L 390 C	337P 175 D		
T-40									
	47M 420 E	48M 420 E	413AB 420 C	419AR 400 C	422AC 355 C				
	424AA 355 C	439R 270 C	443AP 300 C						

CRIMP CONTACTS

T-10			
	19CD 150 A		
T-20			
	23CD 440 B	28CD 270 B	222CD 150 A
T-30			
	319CD 390 C	337CD 175 D	
T-40			
	419CD 400 C	434CD 355 C	

EXPLANATION CHART

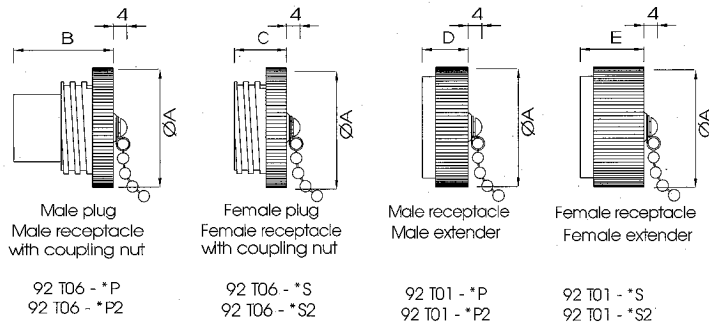
	Equivalent contact size				
Planform type 39J 450 C	Test voltage at sea level				
	A	B	C	D	E
Working voltage	1050	1400	1750	2100	2500

ACCESSORIES

CONTACT AND CRIMP TOOLS

Planform type	Wire Section	Crimp contact		Crimp tools				
		Male	Female	Simple tool	Adjustable tool	Positioner	Insertion tool	Extraction tool
19CD	AWG 20-24	PX C-12	SX C-10	2613-1	AFM8	K-613	701	702/3
	AWG 26-28	PX C-12	SX C-10	2613-2				
28CD	0.75 mm ²	PX C-115	SX C-114	—	M-309	SH-480	DAK-289	DRK-289
319CD	1.5 mm ²	PX C-89	SX C-88					
434CD	2.5 mm ²	PX C-91	SX C-90					
222CD	AWG 20-28	PX C-615	SX C-614	—	AFM8	11051	701	702/3
337CD	AWG 20-28	PX C-148	SX C-149	—	AFM8	11051	T3-293	702/3
23CD 419CD	1.5 mm ²	PX C-86	SX C-85	—	M-309	SH-480	DAK-290	DRK-290-12
	2.5 mm ²	PX C-82	SX C-81					
	4 mm ²	PX C-140	SX C-139					

METAL CAPS



*SIZE	ØA	B	C	D	E
10	25	27	14	12.8	19
20	32	30.6	16	13.5	19
30	47				
40	57				

92 T06 - *P
92 T06 - *P2

92 T06 - *S
92 T06 - *S2

92 T01 - *P
92 T01 - *P2

92 T01 - *S
92 T01 - *S2

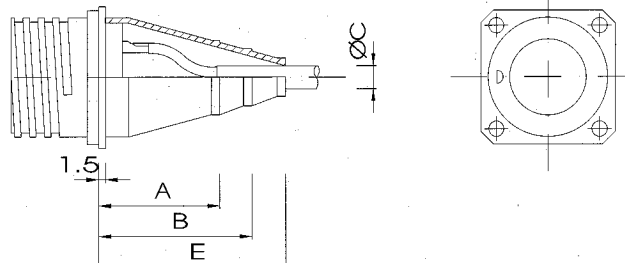
Standard Finish
Black Finish

Part Numbers

NB 92 T06 P/S suitable for T08 & T09 requirements

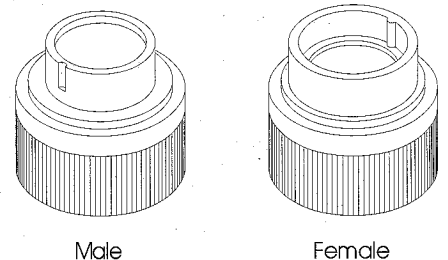
92 T01 P/S suitable for T02 requirements

WATERPROOF RUBBER BOOT FOR RECEPTACLES



Ref.	ØD	A			B			E			ØC			
		A	B	E	A	B	E	A	B	E	A	B	E	
T-10	120T1-233	18	19.5	22.8	26	9	7.25	5.5						
T-20	120T2-491	27	27	34.5	42	14	10	6						
T-30	120T3-327	37	40	46.5	53	17	13.5	10						
T-40	120T4-420	47	34.5	49.5	64.5	30	22	14						

PLUG ASSEMBLY TOOLS



Male

Female

Tool references	to assemble males		to assemble females	
	Ref.	Tool	Ref.	Tool
T-10	SC102530	SC101530		
T-20	SC202530	SC201530		
T-30	SC302530	SC301530		
T-40	SC402530	SC401530		

GENERAL DATA

PART NUMBERS

92

06

—

419AR

S

B

2

SERIES

CONNECTOR TYPE

- 01 Extender
- 02 Receptacle
- 06 Straight plug
- 08 Angled connector
- 09 Receptacle with coupling nut

CONTACT PLANFORM

Please see chart for contact planforms on page 5

CONTACT GENDER

- S Socket
- P Plug

FINISH

- Standard
- 2 Black

CABLE CLAMP

Connector size	Pg	Cable Ø in mm	Ref.
10	11	5 a 10	D
20	16	7 a 12	A
		10 a 14	B
30	16	7 a 12	A
		10 a 14	B
30	29	13 a 20	C
		18 a 25	D
40	29	13 a 20	A
		18 a 25	B
40	36	22 a 32	D