



超眾科技股份有限公司

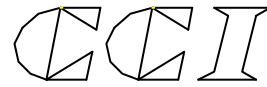
CHAUN-CHOUNG TECHNOLOGY CORP.

HEAT PIPE DEPARTMENT

NO.184, CHUNG HSING N. ST., SANCHUNG CITY, TAIPEI, TAIWAN, R.O.C.

TEL: 886-2-9952666~8

FAX: 886-2-9958258~9



(工程承認書)

APPROVAL SHEET

CCI PART NAME : COST REDUCED BROOKDALE-G WSHS

CCI P/N : 00C849602B

	PREPARED	APPROVED
CCI		
CUSTOMER		

CONTAINS:

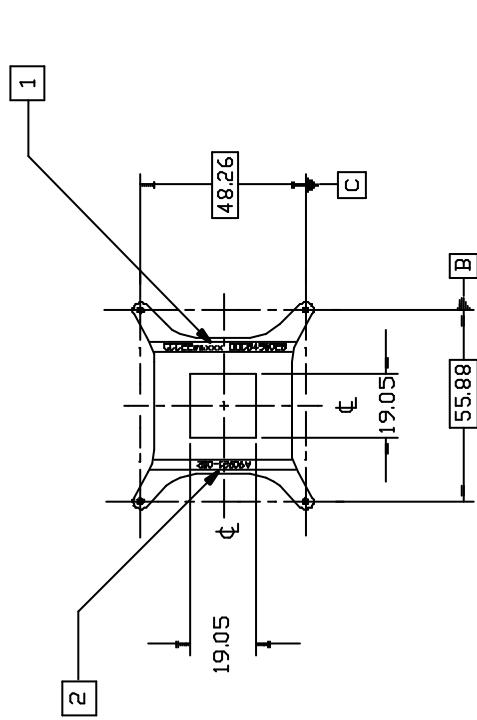
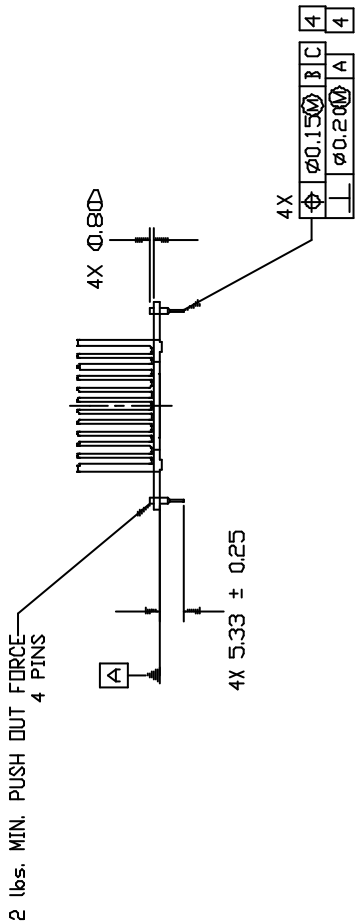
ITEM	DESCRIPTION	CCI P/N	SPEC
1	ASSEMBLY	00C849602B	60.45X52.83X29.33
2	HEAT SINK	332C849601A	60.45X52.83X24.75
3	PIN	332I817902B	8.13x1.8
4	TIM	333I817901A	19.05X19.05

REV	DESCRIPTION	BY	DATE
A	RELEASE <td></td> <td></td>		

NOTE: **1** Marking:
The Supplier ID format is C C V V Y W W . X X X X
Vendor tracking number
Work week the product was manufactured
Year the product was manufactured
Vendor code

Size of marking shall be 2mm High Minimum on items.

- 2** Marking:
Intel Part Number
3. TOLERANCES:
UNLESS OTHERWISE SPECIFIED
.X ±0.5
.XX ±0.25
.XXX ±0.127
ANGLES ±0.5°
- 4** CRITICAL TO FUNCTION DIMENSIONS

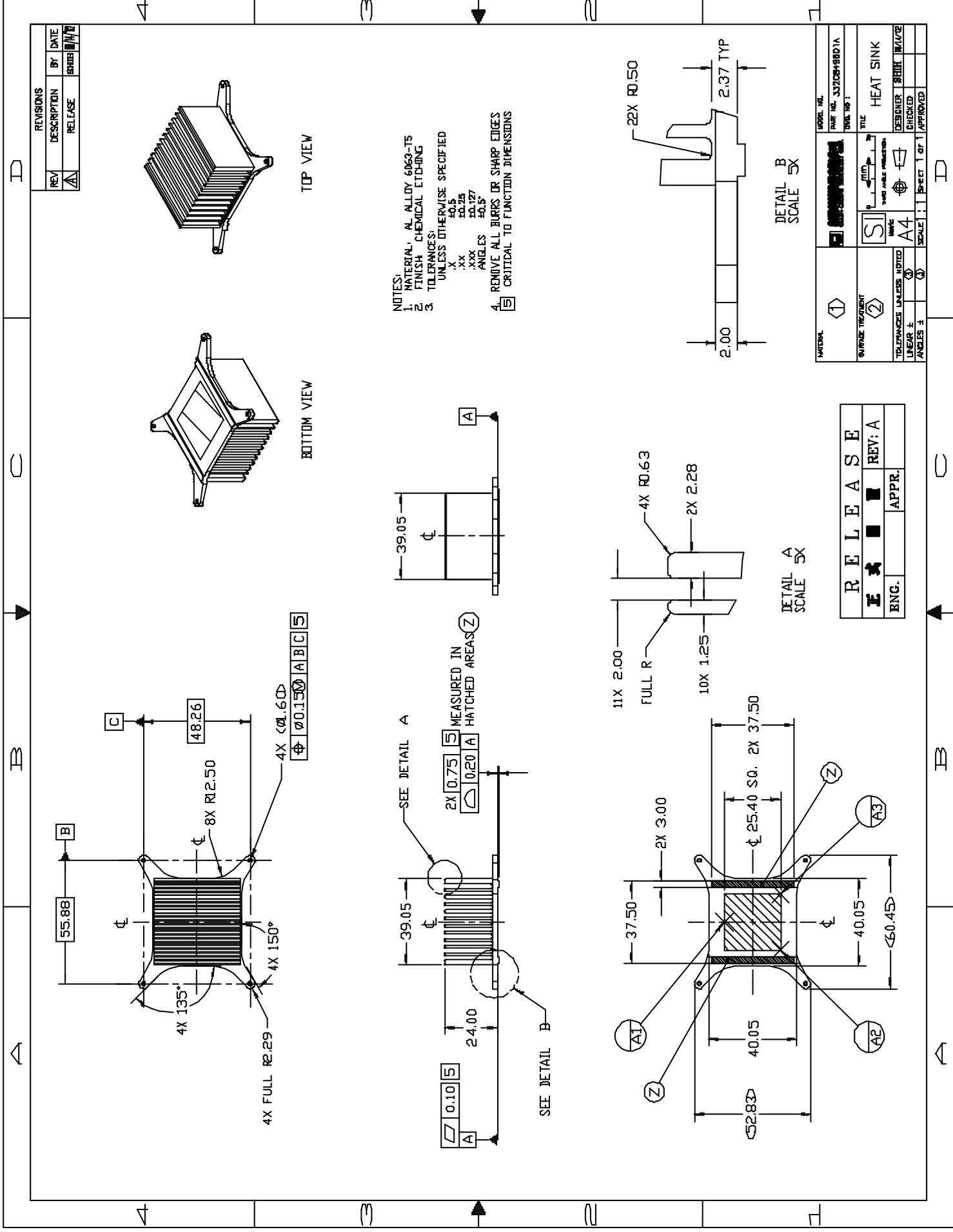


EXPLODED VIEW

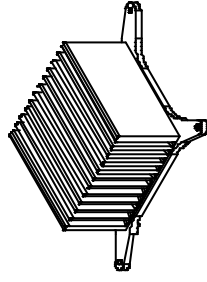
ITEM	PART NAME	PART NO.	Q'TY
1	HEAT SINK	332C84901A	1
2	SOLDER PIN	332I817902B	4
3	TIM	333I817901A	1

R E L E A S E
ENG. APPR.
REV: A

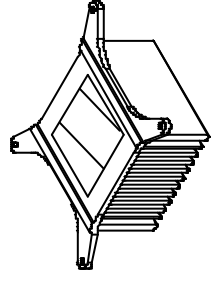
MATERIAL	WORKING TITLE	MODEL NO.	DATE
		HEAT SINK ASSY	01/28/02
TOLERANCES UNLESS NOTED	NAME	DESIGNER	CHECKED
LINEAR ±	A4		
ANGLES ±	SCALE: 1:1	SHEET 1 OF 1	APPROVED



REVISIONS		
REV	DESCRIPTION	DATE
A	RELEASE	11/17

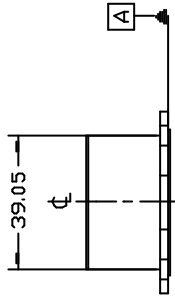


TOP VIEW

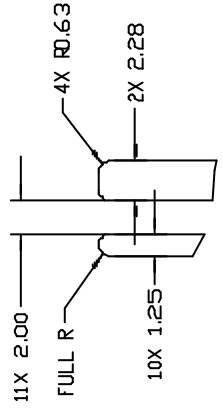


BOTTOM VIEW

- NOTES:
- MATERIAL: AL ALLOY 6063-T5
 - FINISH: CHEMICAL ETCHING
 - TOLERANCES: UNLESS OTHERWISE SPECIFIED
 - X ±0.5
 - XX ±0.25
 - XXX ±0.127
 - ANGLES ±0.5°
 - REMOVE ALL BURRS OR SHARP EDGES



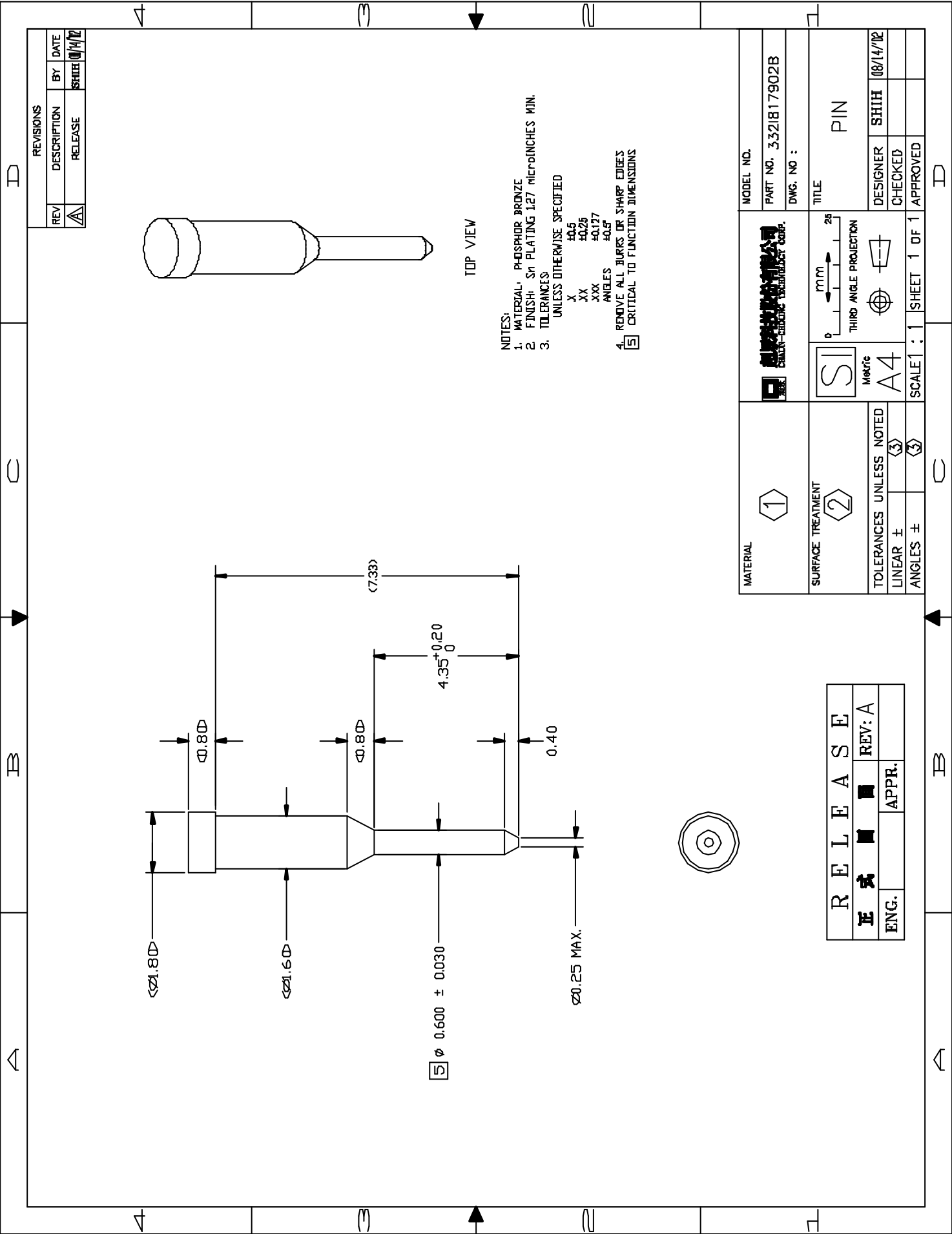
DETAIL A
SCALE 5X



DETAIL B
SCALE 5X

MATERIAL	MODEL NO.	DATE	NO. 3322848BD7A
SURFACE TREATMENT	DWG. NO. 1	TITLE	HEAT SINK
TOLERANCES UNLESS NOTED	NAME	DESIGNER	SHIBU
LINEAR ±	A4	CHECKED	
ANGLES ±	SCALE: 1 OF 1	APPROVED	

RELEASE	
ENG.	APPR.
REV: A	



TOP VIEW

- NOTES:
- MATERIAL: PHOSPHOR BRONZE
 - FINISH: Sn PLATING 1.27 MICRONS MIN.
 - TOLERANCES UNLESS OTHERWISE SPECIFIED
 - X ±0.5
 - XX ±0.25
 - XXX ±0.127
 - ANGLES ±0.5°
 - REMOVE ALL BURRS OR SHARP EDGES CRITICAL TO FUNCTION DIMENSIONS

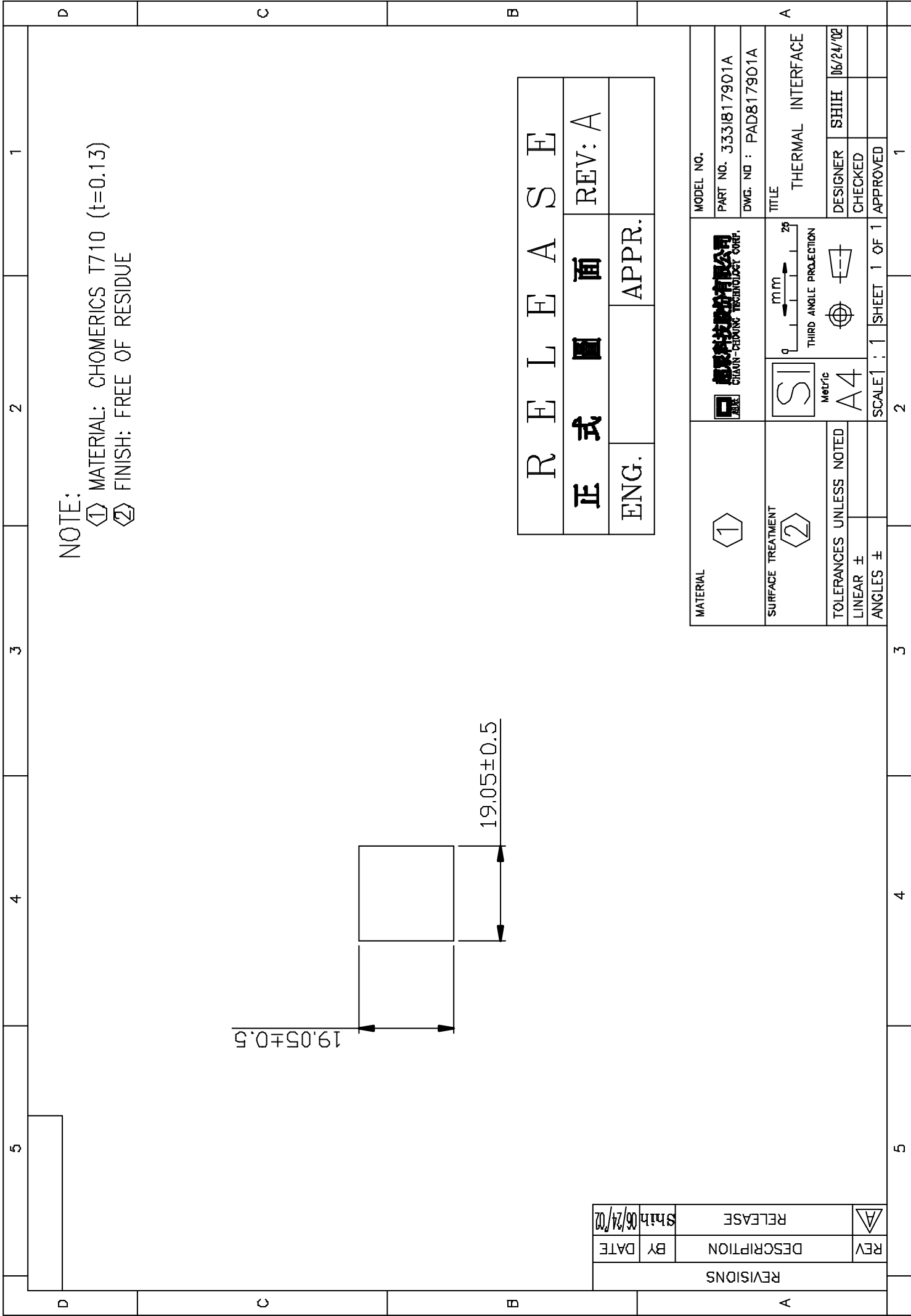
REVISIONS		
REV	DESCRIPTION	BY DATE
A	RELEASE	SHIH 08/14/12

MATERIAL	MODEL NO.	TITLE	
1	PART NO. 3321B17902B	PIN	
SURFACE TREATMENT	DWG. NO :	DESIGNER	CHECKED
2		SHIH	08/14/12
TOLERANCES UNLESS NOTED	SCALE: 1 : 1	SHEET 1 OF 1	APPROVED
LINEAR ±			
ANGLES ±			

RELEASE	
REV: A	APPR.
ENG.	



SI
Metric
A4



NOTE:

- ① MATERIAL: CHOMERICS T710 (t=0.13)
- ② FINISH: FREE OF RESIDUE

R E L E A S E

正 式 圖 面 R E V : A

E N G .	A P P R .
---------	-----------

REVISONS	
REV	DESCRIPTION
BY DATE	Shih 06/24/02
RELEASE	A

MATERIAL	①	MODEL NO.	PART NO. 3331817901A
SURFACE TREATMENT	②	DWG. NO :	PAD817901A
TOLERANCES UNLESS NOTED		TITLE	THERMAL INTERFACE
LINEAR ±		DESIGNER	SHIH 06/24/02
ANGLES ±		CHECKED	
		APPROVED	
		SCALE	1 : 1 SHEET 1 OF 1

SI

Metric

A4

0 25
mm

THIRD ANGLE PROJECTION

CHIAIN-DEPING TECHNOLOGY CORP.