

# PART NO. : HFJ12-1G16ER-L12RL



1X2 FASTJACK™ WITH 1000BASE-T MAGNETICS  
COMPLIANT TO IEEE802.3ab STANDARDS

UL/EN60950 RECOGNIZED

RoHS COMPLIANT

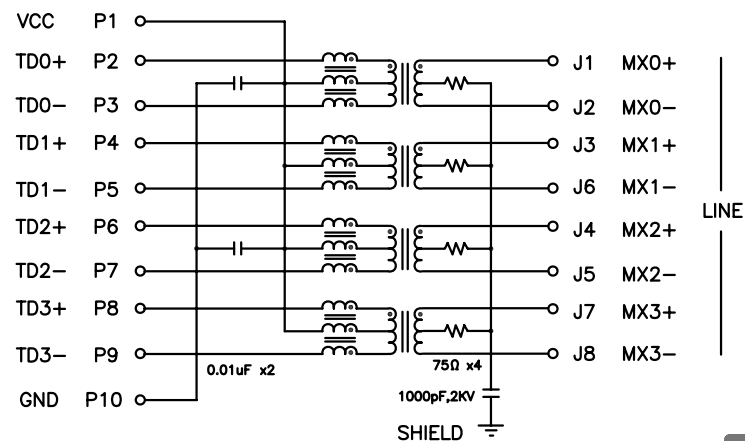
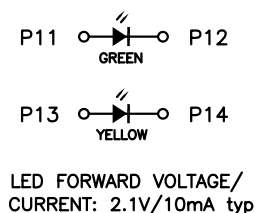
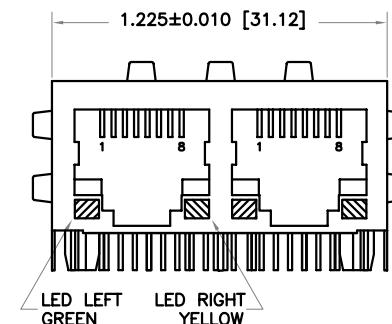
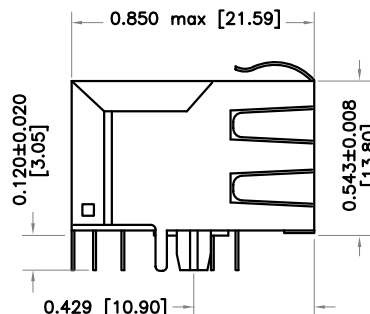
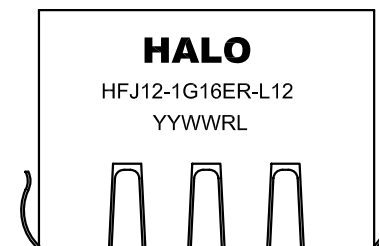
COMPATIBLE TO LEAD-FREE WAVE SOLDERING PROCESS  
FOR THROUGH HOLE COMPONENTS

OPERATING TEMPERATURE 0/70°C

## ELECTRICAL SPECIFICATIONS @25° C

URNS RATIO	1:1±3%
OCL (100KHz,0.1V,8mA)	350µH min
INSERTION LOSS 1-100MHz	-1.1dB max
RETURN LOSS 1-40MHz	-18dB min
60MHz	-14dB min
80MHz	-12dB min
100MHz	-10dB min
CROSSTALK 1-100MHz	-35dB typ
CMR 0.1-30MHz	-38dB typ
30-60MHz	-35dB typ
60-100MHz	-30dB typ
ISOLATION	1,500Vrms

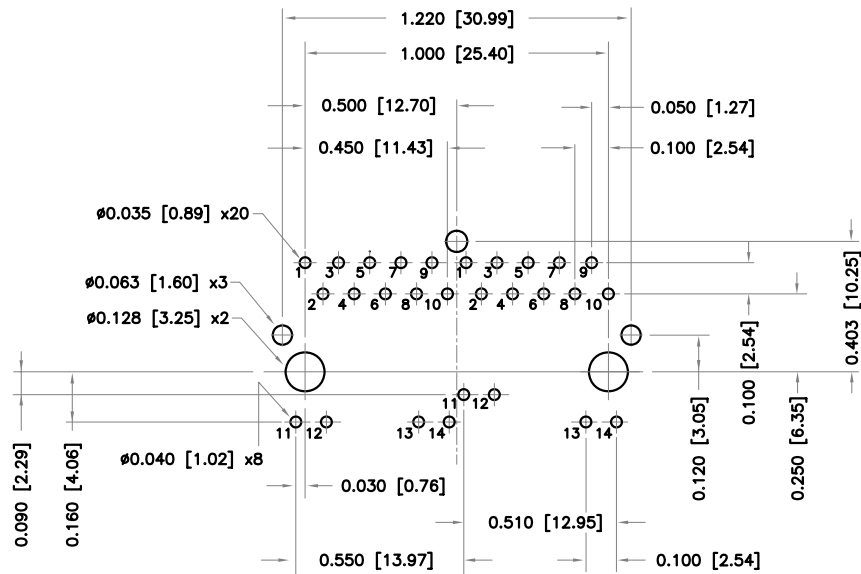
Housing Material: Polyester, Black UL94V-0  
Contacts: Phosphor Bronze 30µin Au plating over Ni  
Leads: Matte Sn over Ni  
Shield: Cu Alloy with Ni plating 40µin min  
Durability: 1000 mating cycles  
Dimensions: Inch [mm]  
Tolerances: ±0.008 inch if not specified



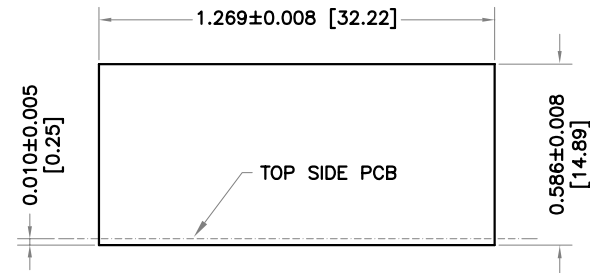
# HALO/PBL

TITLE	FastJack™ 1x2		SIGNATURES		DATE	REV.	DESC.	DATE
	FOR	GIGABIT ETHERNET	DRAWN	PETER LU	5/25/06	A	FIRST ISSUE	5/25/06
PART NO.	HFJ12-1G16ER-L12RL		CHECKED	LEI KEONG	10/22/08	B	PROD. RELEASE	10/22/08
SCALE	NONE	PAGE	1 OF 2		APPROVED	PETER LU		10/22/08
FILE		HFJ121G16ER-L12RL.DWG						

CALIFORNIA, USA  
KOWLOON, HONG KONG  
SINGAPORE



RECOMMENDED P.C. BOARD PATTERN (COMP. SIDE)  
TOLERANCES  $\pm 0.002 [0.05]$  UNLESS SPECIFIED



RECOMMENDED PANEL CUTOUT

**HALO/PBL**

CALIFORNIA, USA  
KOWLOON, HONG KONG  
SINGAPORE

TITLE	FastJack™ 1x2	SIGNATURES	DATE	REV.	DESC.	DATE
FOR	GIGABIT ETHERNET	DRAWN	PETER LU	5/25/06	A	FIRST ISSUE
PART NO.	HFJ12-1G16ER-L12RL	CHECKED	LEI KEONG	10/22/08	B	PROD. RELEASE
SCALE	NONE	APPROVED	PETER LU	10/22/08		
	PAGE 2 OF 2	FILE	HFJ121G16ER-L12RL.DWG			