

Description

These drivers are included in the illumination segment of the Xitanium™ family of products. The Xitanium™ drivers are designed specifically to optimally power Luxeon™ high power LEDs. The constant DC current output provides the long life and optimum operation of high power LEDs. Xitanium™ drivers have an operating life matching that of LEDs.

The 25W dimming driver controls the LEDs by pulsing the LEDs on and off in relation with the input voltage for the driver's light regulation circuit. The input voltage for this light regulation circuit varies from 1V to 10V DC; 1V results in a minimum lighting level (5% LED output) and 10V in a maximum (100% LED output). The PWM-frequency is 700Hz (± 10%). Dimming does not affect LED life.

The outdoor versions have an IP66 rating.

Xitanium™ drivers also perfectly operate the Philips LED based systems including:

- The LED Module System: lighting blocks which can be joined in flexible "domino" like arrays to produce creative luminaries and displays
- LED String: a wire connected string of LEDs for safer, more energy efficient signs and architectural effects

New design opportunities

The Xitanium's small, compact size enables you to innovate with new, low-profile fixture designs.

Hazard-free

All the major safety requirements (as defined in CE, ENEC, KEMA, and UL) are met, so you can install them in practically any location.

Excellent reliability

Xitanium LED Drivers last up to 50,000 hours, to take advantage of the long life of LEDs. They come with the Philips electronic ballast guarantee.

Wide choice

Extensive product portfolio gives you a wide choice. Portfolio consist of in- and outdoor types with power ratings from 12 to 80W, including a 25W for dimming possibilities.

Improved safety

Xitanium LED Drivers generate a limited output voltage and current and also provide isolation for safe operation.

Low-temperature performance (-40°C)

So you can be confident in any outdoor application (IP66).

Universality

Although optimized for high power Luxeon LEDs, the Xitanium range of Drivers is also suitable for other LED based systems.

Typical applications include:

- Channel letter/contour lighting
- Architectural lighting
- Retail/theme lighting
- Orientation lighting (path lighting)
- Entertainment lighting
- Emergency and security

www.philips.com/led

Quick selection table

Description	Configuration options	Description	Configuration options
12W 350mA	- 1-8 one-watt Luxeons - max. 3.2m Philips LED String Red & Amber - max. 3.5m Philips LED String Blue & Green	25W 1050mA (indoor only)	- 3, 6, 9, 12, 15 or 18 one-watt Luxeons - 18-up Luxeon array - 1-5 three-watt Luxeons at 1.0A
17W 700mA	- 2, 4, 6, 8, 10 or 12 one-watt Luxeons - 6-up and 12-up Luxeon lines, rings or arrays - 1-5 three-watt Luxeons - 1-3 five-watt Luxeons - max. 5.0m Philips LED String Red & Amber - max. 4.2m Philips LED String Blue & Green - 1-10 Philips LED Modules	25W 1050mA Dimming (indoor only)	- 15 or 18 one-watt Luxeons - 5 three-watt Luxeons
		40W 1750mA	- 5, 10, 15, 20, 25 or 30 one-watt Luxeons - Philips LED String White max. 4.0m - 1-24 Philips LED Modules
		67W 2800mA (outdoor only)	- 8, 16, 24, 32, 40 or 48 one-watt Luxeons - 4, 8, 12, 16 or 20 three-watt Luxeons
		80W 3150mA (outdoor only)	- 9, 18, 27, 36, 45 or 54 one-watt Luxeons - 5, 10, 15, 20 or 25 three-watt Luxeons

Specification

Description	Input	Output	Tc max.
LED Driver	Max. power	Current	
V	W	mA	V
12W indoor	15.0	350 +/- 5%	2.6 - 33.0
17W indoor	21.5	700 +/- 5%	2.6 - 24.6
25W indoor	31.9	1050 +/- 5%	2.6 - 24.6
25W DIM indoor	31.9	1050 +/- 5%	14 - 24.0
40W indoor	51.0	1750 +/- 5%	2.6 - 24.0
12W outdoor	15.0	350 +/- 5%	2.6 - 33.0
17W outdoor	21.5	700 +/- 5%	2.6 - 24.6
40W outdoor	51.0	1750 +/- 5%	2.6 - 24.0
67W outdoor	80.0	2800 +/- 5%	2.6 - 25.0
80W outdoor	95.0	3300 +/- 5%	2.6 - 25.0

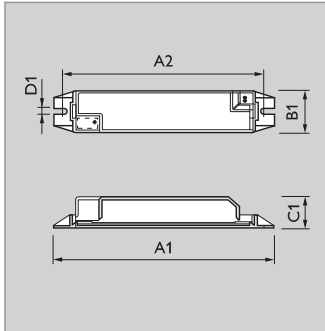
Specification

Description LED Driver	Box packaging	EOC	Description LED Driver	Box packaging	EOC
		8711500			8711500
12W indoor	10	749963 30	12W outdoor	10	930453 30
17W indoor	10	749987 30	17W outdoor	10	930958 30
25W indoor	12	927361 30	40W outdoor	3	931221 30
25W DIM indoor	12	927408 30	67W outdoor	20	931207 30
40W indoor	12	927385 30	80W outdoor	20	931245 30

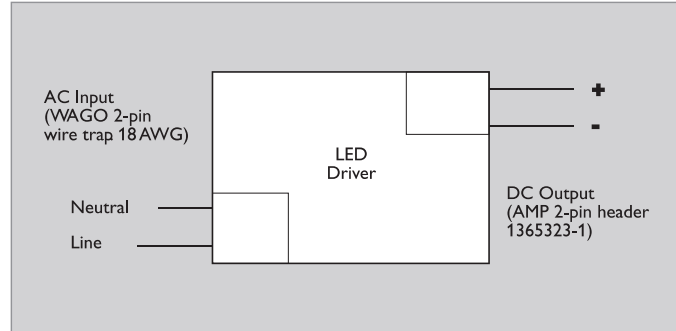
Note: for more detailed information on LED Drivers, LED Modules and LED String ask for specific product data sheets.

12W indoor

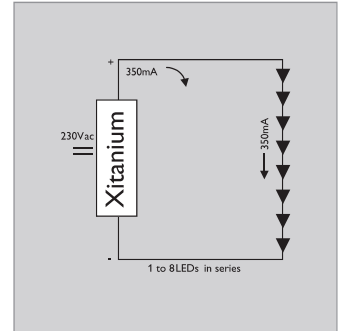
Dimensional drawing



Wiring diagram

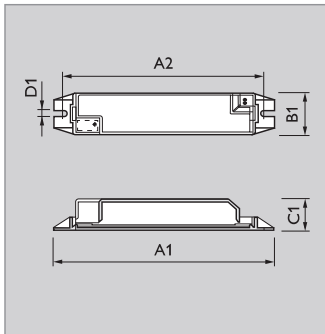


Configuration arrays

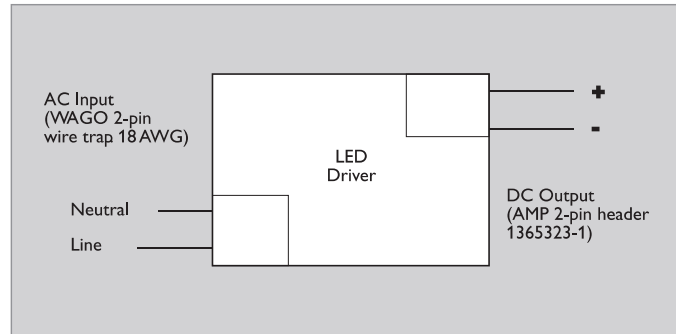


17W indoor

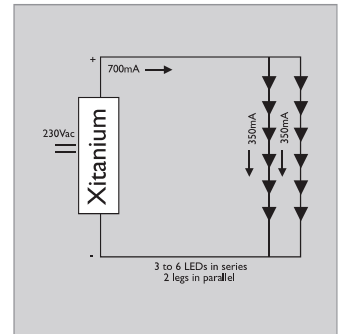
Dimensional drawing



Wiring diagram

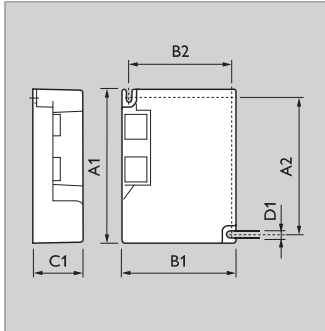


Configuration arrays

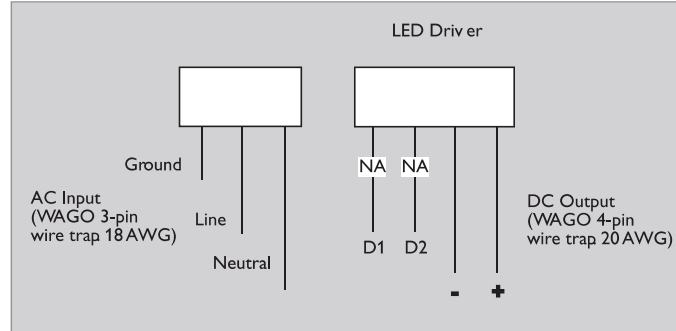


25W indoor

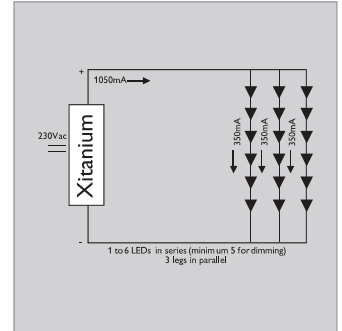
Dimensional drawing



Wiring diagram

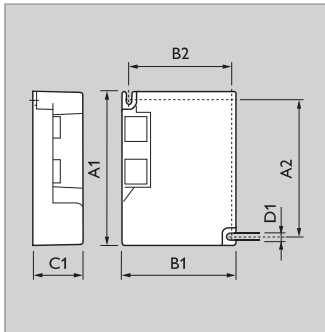


Configuration arrays

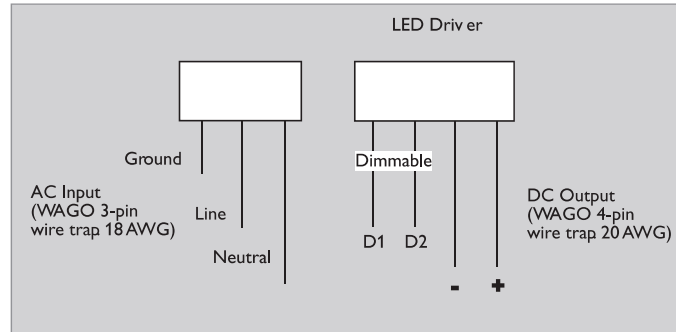


25W DIM indoor

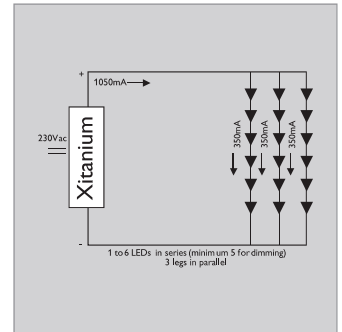
Dimensional drawing



Wiring diagram



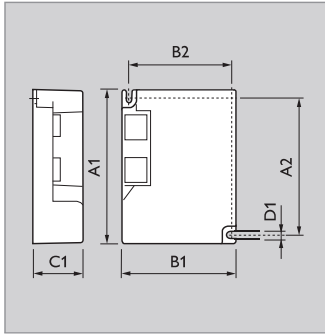
Configuration arrays



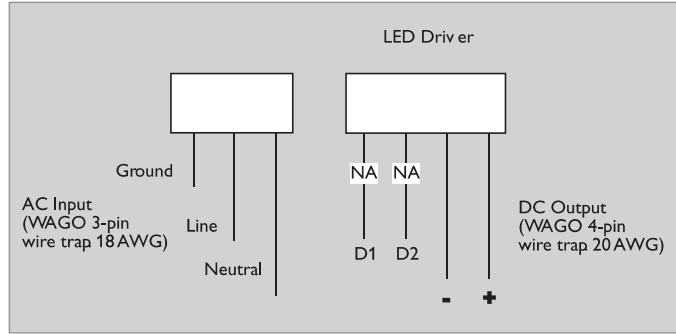
Note: Special attention is required for parallel connections in case of Vf binning differences.

40W indoor

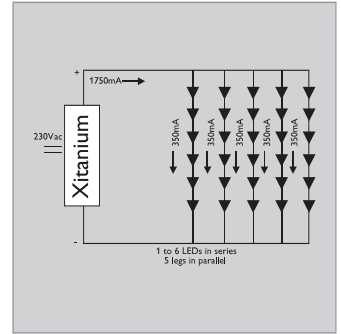
Dimensional drawing



Wiring diagram

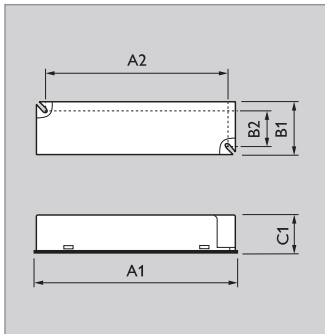


Configuration arrays

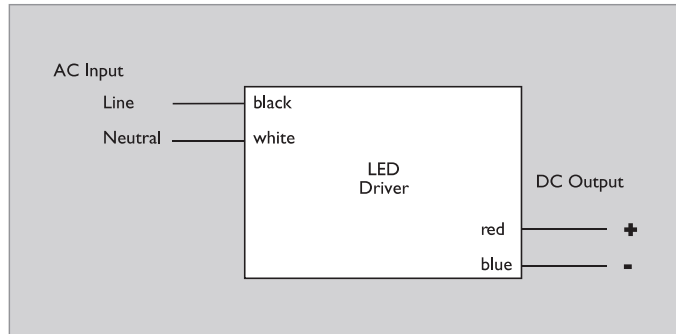


12W outdoor

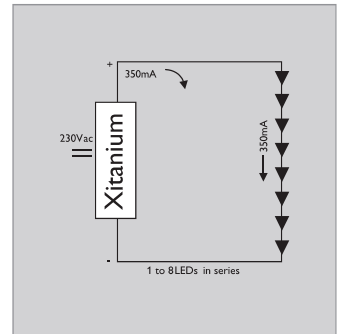
Dimensional drawing



Wiring diagram

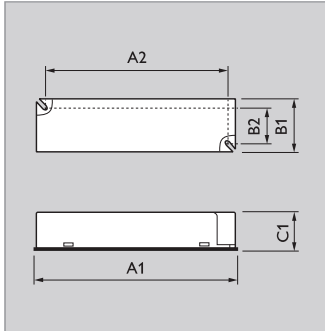


Configuration arrays

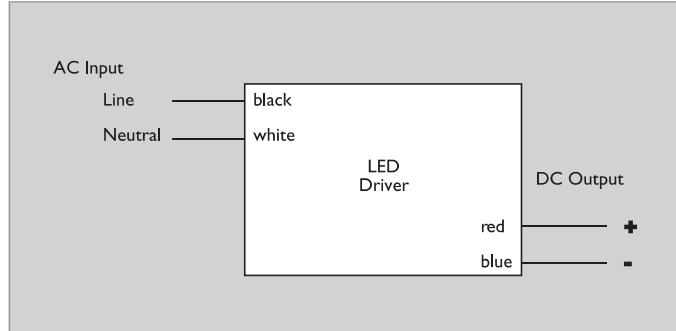


17W outdoor

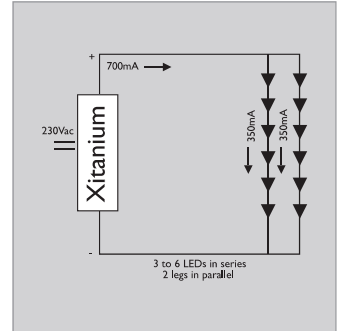
Dimensional drawing



Wiring diagram

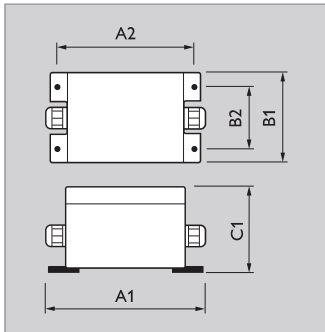


Configuration arrays

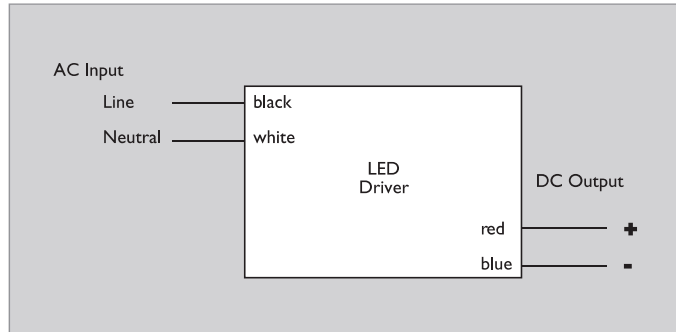


40W outdoor

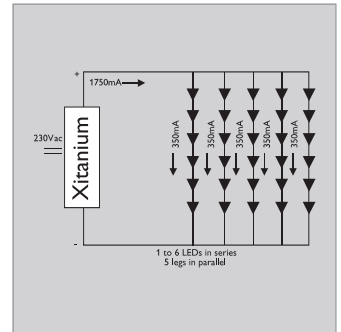
Dimensional drawing



Wiring diagram



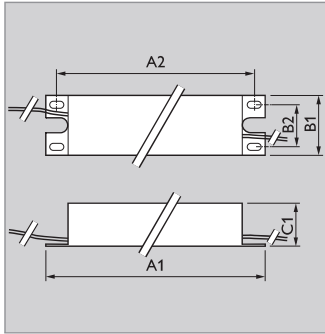
Configuration arrays



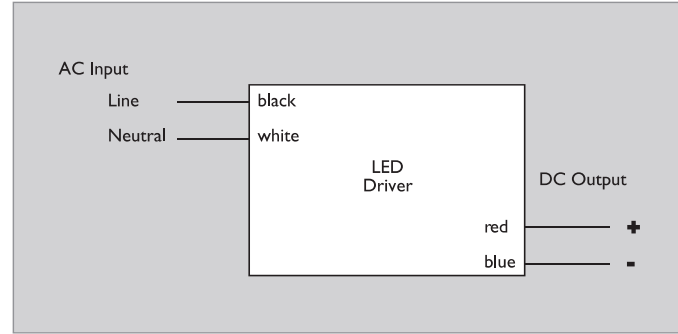
Note: Special attention is required for parallel connections in case of Vf binning differences.

67W outdoor

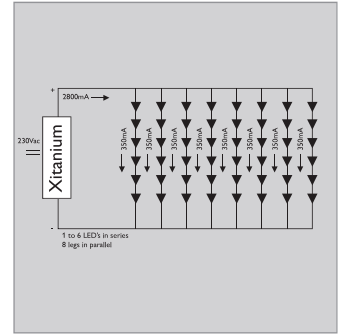
Dimensional drawing



Wiring diagram

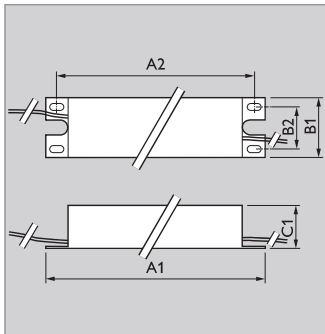


Configuration arrays

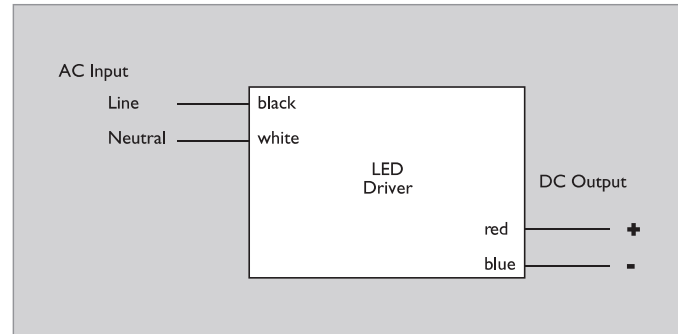


80W outdoor

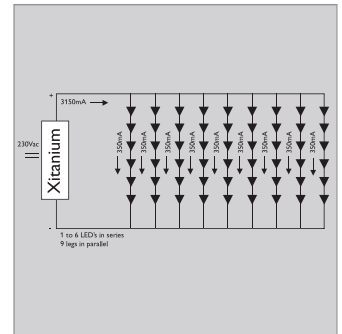
Dimensional drawing



Wiring diagram



Configuration arrays



Note: Special attention is required for parallel connections in case of Vf binning differences.

Dimension drawing table

	A1	A2	B1	B2	C1	D1
12W indoor	132,0	120,0	30,0	-	22,0	4,4
17W indoor	132,0	120,0	30,0	-	22,0	4,4
25W indoor	83,0	73,4	77,0	67,4	33,8	4,4
25W DIM indoor	83,0	73,4	77,0	67,4	33,8	4,4
40W indoor	83,0	73,4	77,0	67,4	33,8	4,4
12W outdoor	132,0	122,4	34,2	24,6	25,0	4,4
17W outdoor	132,0	122,4	34,2	24,6	25,0	4,4
40W outdoor	158,0	144,0	88,5	60,0	59,0	4,4
67W outdoor	240,0	225,0	43,2	30,0	29,5	4,4
80W outdoor	240,0	225,0	43,2	30,0	29,5	4,4