

RoHS Compliant

2123 SERIES BOX HEADER I.D.C TYPE 2.54x2.54mm

REV	DATE	DESCRIPTION	ECN NO.	NAME
A	00.12.13	NEW RELEASE		DABAO
B	06.01.18	△CHANGE SHOWS	CECR06001248	LION
C	06.08.24	△ ADD VIEW	GC0608005	LIUXIN

MATERIAL

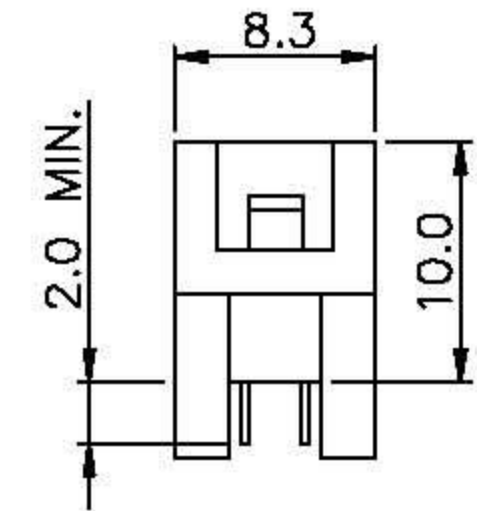
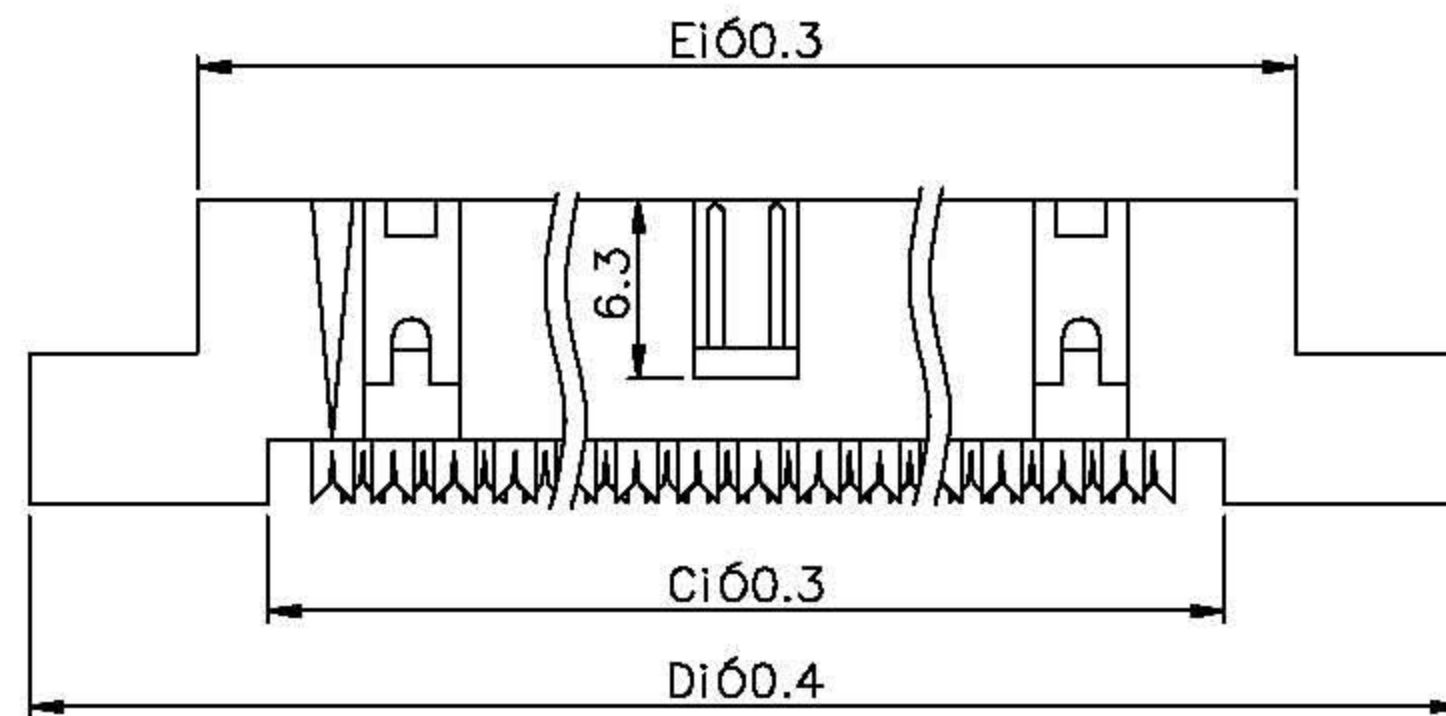
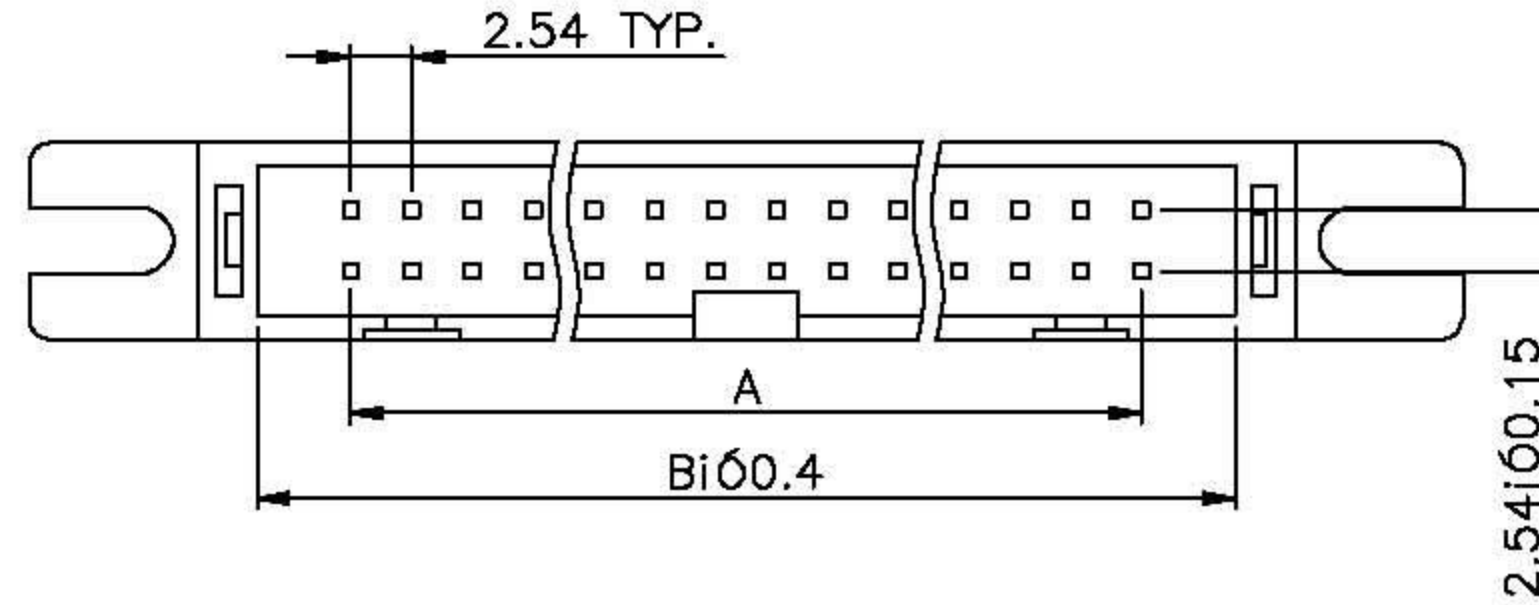
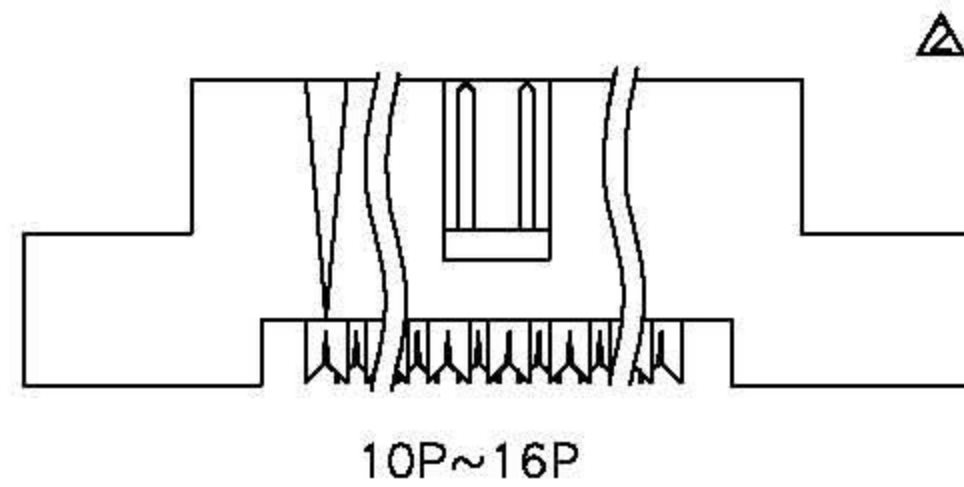
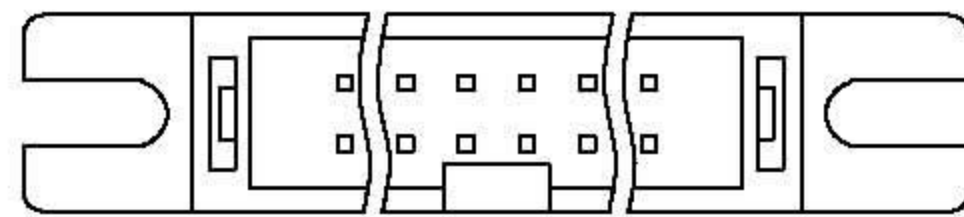
HOUSING: PBT+30%G.F(UL94V-0)

HOUSING COLOR: GRAY

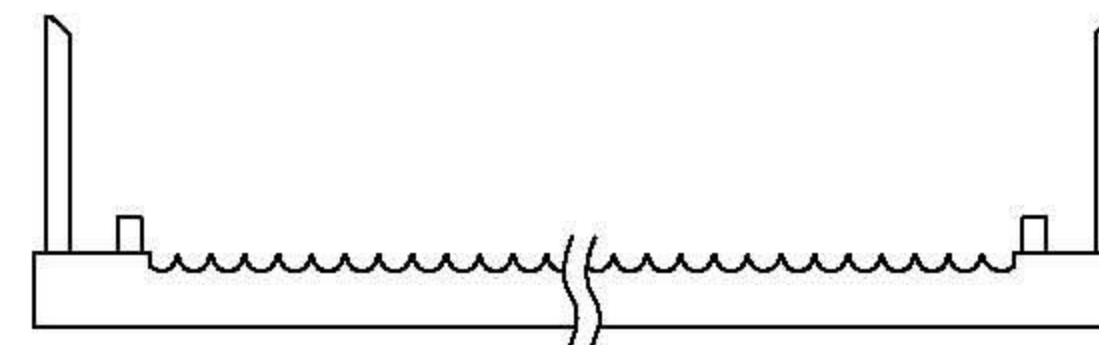
TERMINAL: PHOSPHOR BRONZE

△ TERMINAL PLATING: 1u" min Au IN CONTACT AREA, OVER 50u" min Ni UNDER PLATED OTHERS.

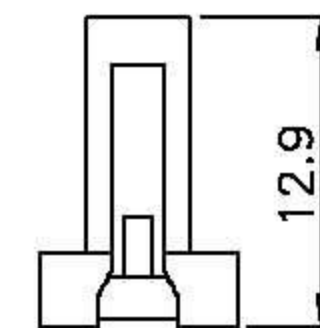
* 2123H002-*** SEE TABLE
 " " : NORMAL PRODUCT
 "G" : GREEN PRODUCT



20P~50P



COVER



RS P/N	ITEM	RS.STOCK NO	DES	BARCODE
4883950	G2123H002-001	488-3950	10W	4883950
4883966	G2123H002-002	488-3966	14W	4883966
4883972	G2123H002-003	488-3972	16W	4883972
4884874	G2123H002-004	488-4874	20W	4884874
4883988	G2123H002-005	488-3988	26W	4883988
4883994	G2123H002-006	488-3994	34W	4883994
4884010	G2123H002-007	488-4010	40W	4884010
4884026	G2123H002-008	488-4026	50W	4884026

DIM:
 A=2.54*(POSITION/2-1)
 B=A+7.84
 C=A+12.74
 D=A+27.04
 E=A+12.84

GENERAL TOLERANCE ±0.20mm	GENERAL ANGLE TOLERANCE ±3'	WIESON TECHNOLOGIES CO., LTD		PART NO.: RS-*****	
		DRAWN BY	DABAO(WSC)	DRAWING NO.	*2123H002-***
		CHECKED BY	JIMMY	DRAWING SIZE	1 : 1 A4
		APPROVED BY	JERRY	UNIT	mm
		SORTING NO.	△ Q8004(WSC)	PAGE	1 OF 1

ISSUED